

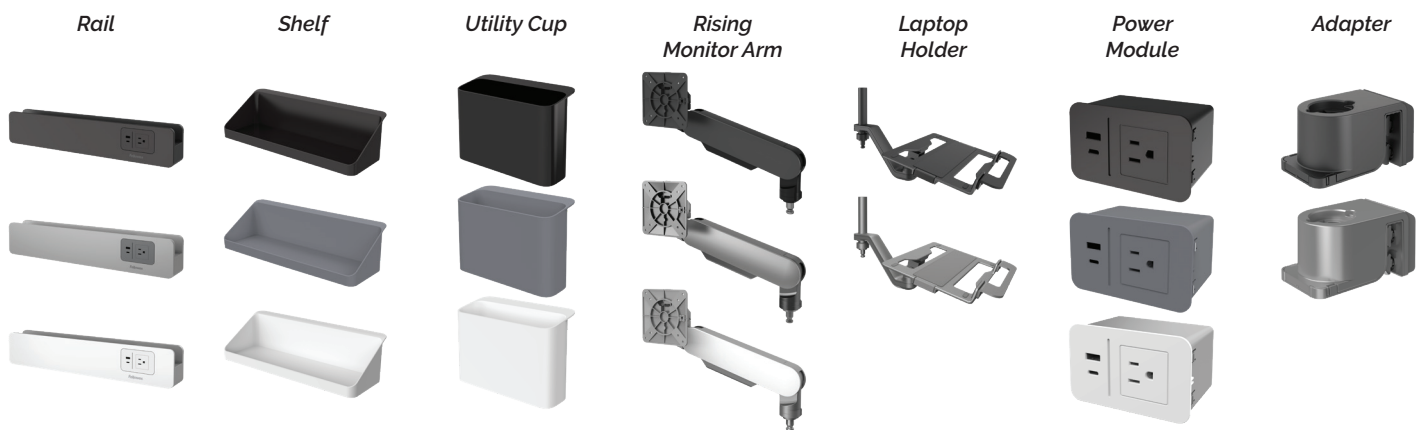
Fellowes

Rising Loft™

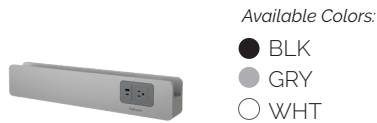
Enhanced Workspace Productivity



Statement of Line



Key Features



Rail

- Available in three widths:
- 24.0" (22" actual), 48.0" (46" actual), and 60.0" (58" actual)
- Each rail includes back painted magnetic glass in Black (BLK), Platinum (PLT), or Designer White (DWT)
- Clamps onto desks/surfaces 0"-3.23" thick
- Includes a power module with (1) A/C, (1) USB-A, and (1) USB-C installed on right side of the rail standard. Power module can be moved to the left if needed. Additional power can be ordered and installed on 48" and 60" rails only
- Rails can be attached to the support legs at three different positions to achieve desired height from the worksurface (3.01", 3.78", 4.56")
- Rubber pads under support legs to ensure a tight fit without marring surface
- UL and cUL approved
- Weight Capacity:
- 75lbs. max total weight capacity when using monitor arms and/or laptop holders with 2 support legs
- 85 lbs. max total weight capacity when using monitor arms and/or laptop holders with 3 support legs (support legs can be ordered separately)

MODEL # LOFT-RAIL-24- _ _ _

MODEL # LOFT-RAIL-48- _ _ _

MODEL # LOFT-RAIL-60- _ _ _



Shelf

- Designed to be used for small accessories and personal items
- Easily mounts to front of rail – no tools needed
- Includes two integrated magnets to help secure the shelf to the front of the rail
- Available in Black, Grey, and White
- Dimensions: 13.0"L x 3.4"H x 4.9"D

MODEL # LOFT-SHELF- _ _ _



Utility Cup

- Conveniently holds pens, pencils, markers, and other writing utensils
- Easily mounts to front of rail – no tools needed
- Available in Black, Grey, and White
- Dimensions: 6.0" x 2.5" x 4.25"

MODEL # LOFT-UTCUP- _ _ _



Rising™ Monitor Arm + Rail Adapter

- Adapter attaches to Rail and allows SnapKinetic™ assembly of monitor arm
- Provides ergonomic positioning of monitor(s)
- Finger-touch gas spring for easy adjustments
- Available in Black or Platinum
- Max weight capacity: 28lbs.

MODEL # LOFT-MA-ADP- _ _ _



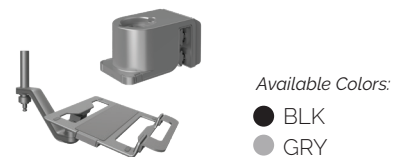
Additional Power Module

Power module includes (1) A/C, (1) USB-C

Only 48" and 60" rails accept an additional power module

9' power cord

MODEL # LOFT-PWR- _ _ _



Laptop Holder + Rail Adapter

- Adapter attaches to rail and allows SnapKinetic™ assembly of laptop holder
- 12.2" laptop tray width
- Designed exclusively for use for Loft (not compatible with other products)
- Swivels to position laptop to desired angle
- Height can be set at any position along the pole

MODEL # LOFT-LTH-ADP- _ _ _

Rising Loft™ – Preconfigured Kits

Kit 1 – Basic

Rail + Utility Cup + Shelf

LOFT-KIT1-24-___

LOFT-KIT1-48-___

LOFT-KIT1-60-___



BLK



PLT



DWT



Kit 2 – Single Monitor Arm

Rail + Utility Cup + Shelf + Rising
Monitor Arm (includes rail adapter)

LOFT-KIT2-24-___

LOFT-KIT2-48-___

LOFT-KIT2-60-___



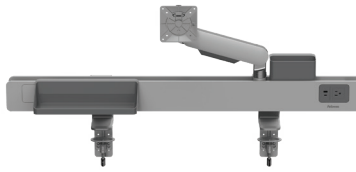
BLK



PLT



DWT



Kit 3 – Dual Monitor Arm

Rail + Utility Cup + Shelf + Rising
Monitor Arm (X2) (includes 2
rail adapters)

LOFT-KIT3-48-___

LOFT-KIT3-60-___

(LOFT-KIT3-60 will include a 3rd support leg)



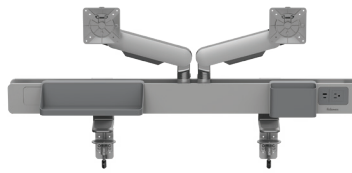
BLK



PLT



DWT



Kit 4 – Monitor Arm + Laptop Holder

Rail + Utility Cup + Shelf + Rising
Monitor Arm + Laptop Holder
(includes 2 rail adapters)

LOFT-KIT4-48-___

LOFT-KIT4-60-___

(LOFT-KIT4-60 will include a 3rd support leg)



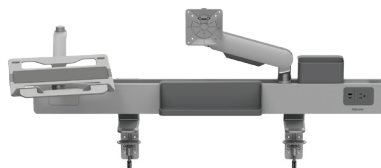
BLK



PLT



DWT



Rising Loft™ – Preconfigured Kits

Kit 5 – Complete Workstation

Rail + Utility Cup + Shelf + Rising
Monitor Arm (includes 1 rail adapter)
+ Triumph or Victory Table Base +
60" x 30" Worksurface

LOFT-KIT5T-60-___-DW

LOFT-KIT5VT-60-___-DW

LOFT-KIT5T-60-___-BG

LOFT-KIT5VT-60-___-BG

(LOFT-KIT5T-60 and LOFT-KIT5VT-60
will include a 3rd support leg)

Rail Kit



BLK



PLT



DWT

Worksurface Laminate



DW



BG



3-in-1 Feature Integration

Cord Management

Organizes & conceals cables and
cords above the worksurface for
easy accessibility



Power

Comes with integrated desktop
power outlet(s) and USB ports for
ease of charging electronics.



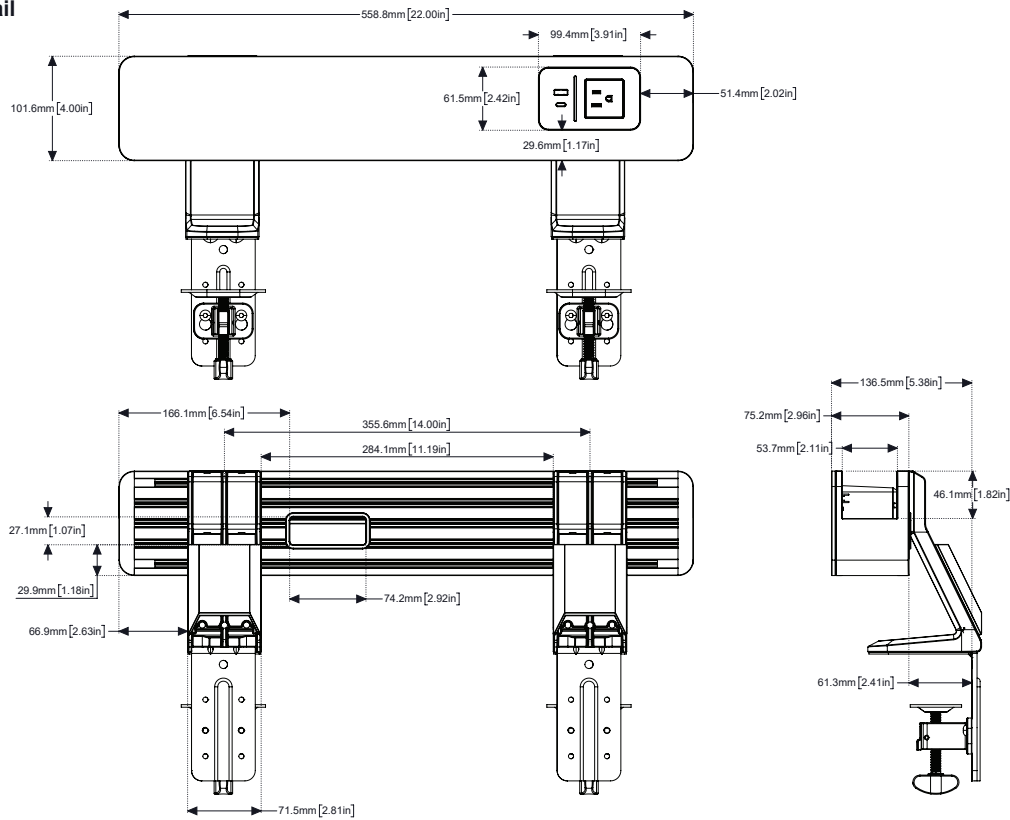
Glassboard

Sleek glass façade with magnetic
back painted marker board.

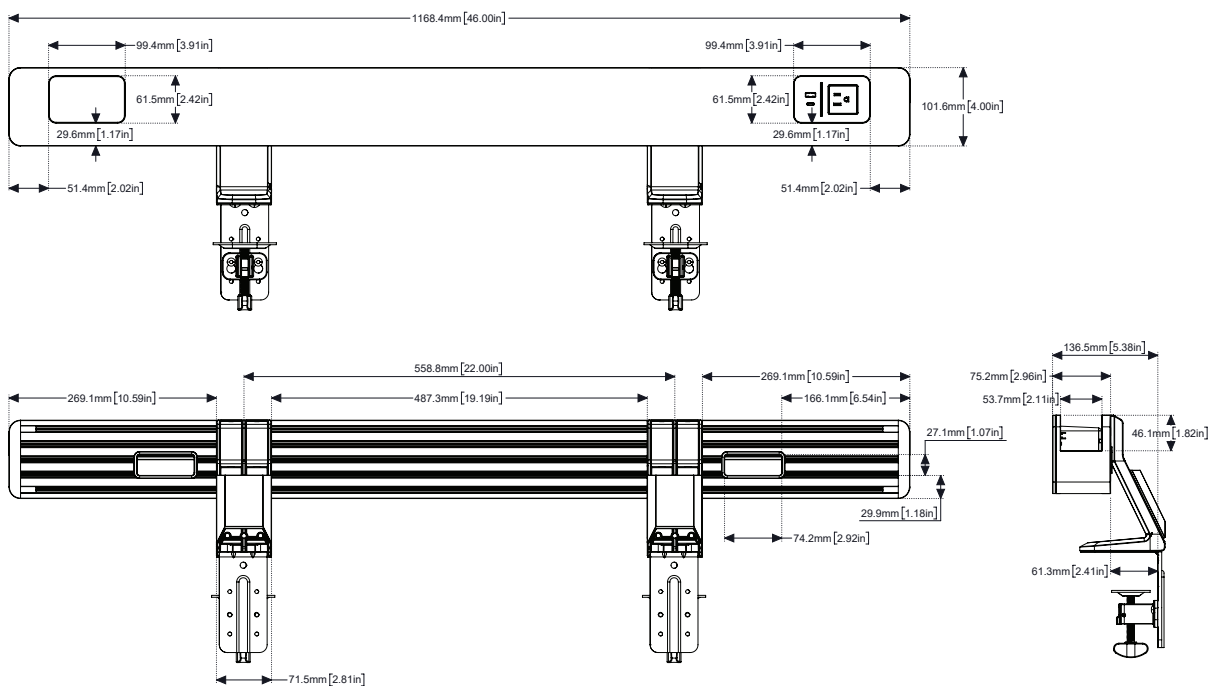


Rising Loft™ – Component Dimensions

24" Rail

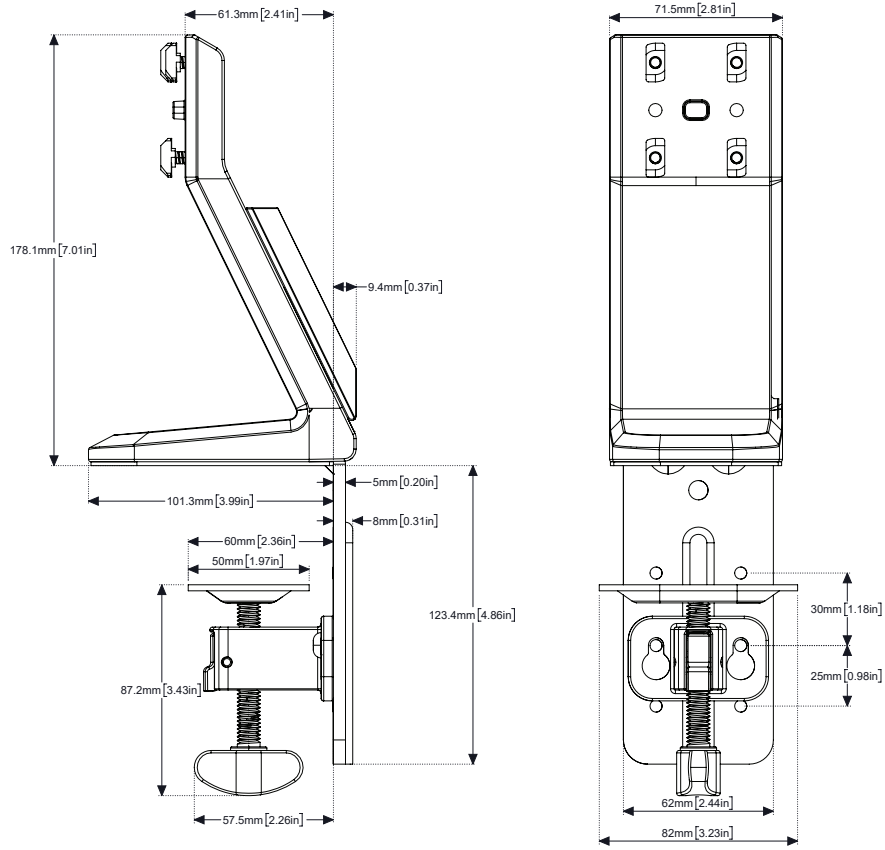


48" Rail

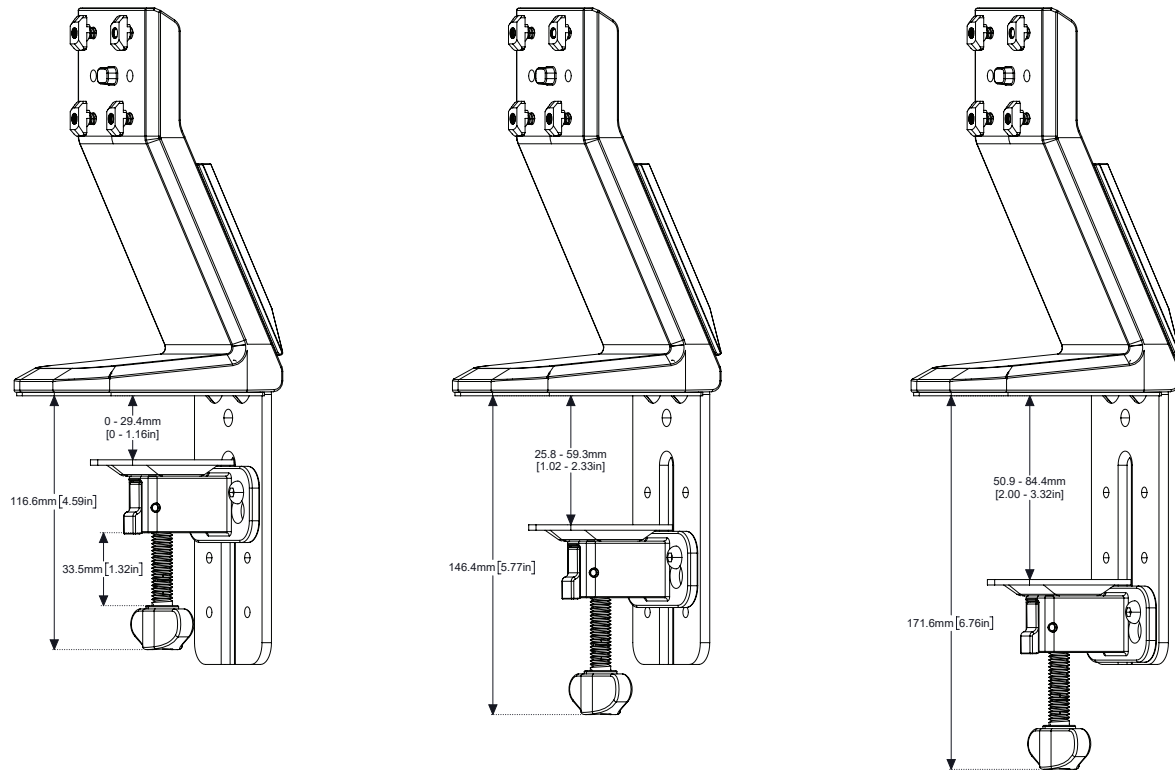


Rising Loft™ – Component Dimensions

Leg & Clamp

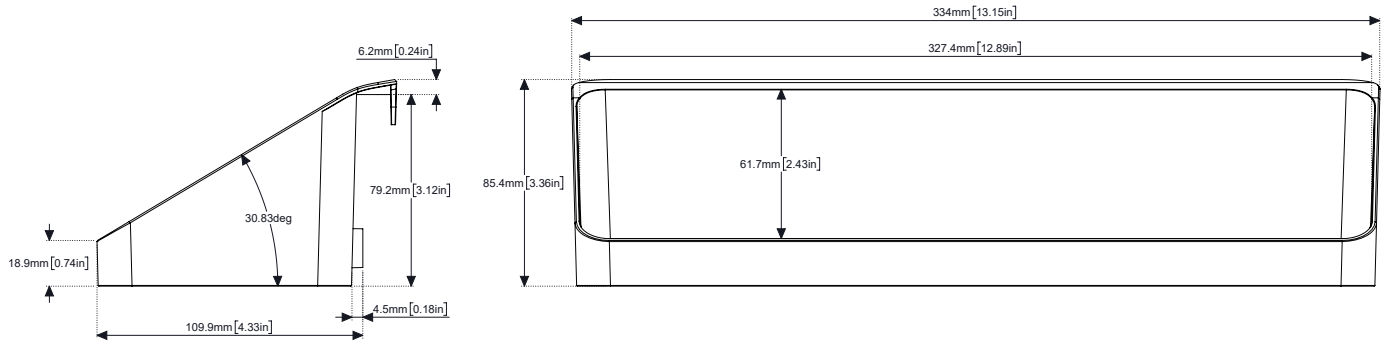


Clamp Adjustment

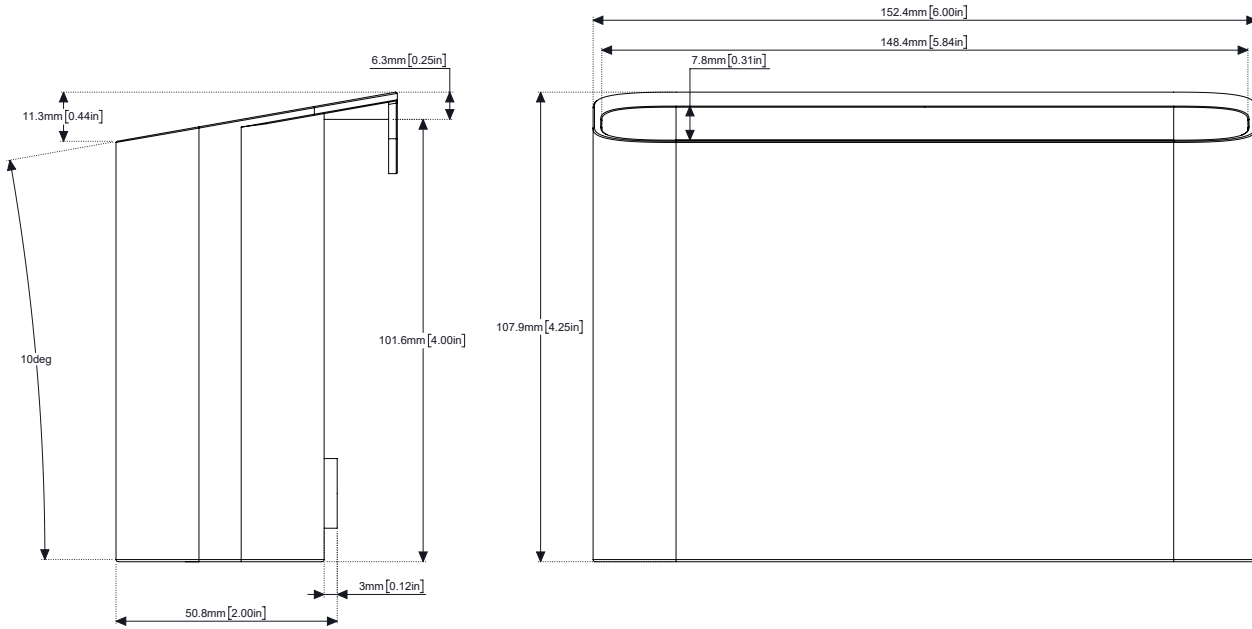


Rising Loft™ – Component Dimensions

Shelf

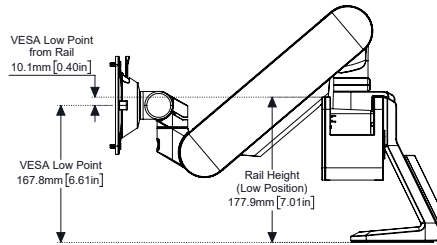
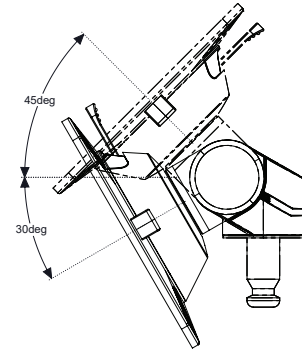
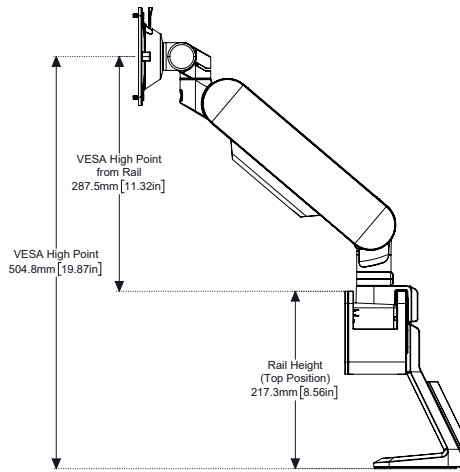
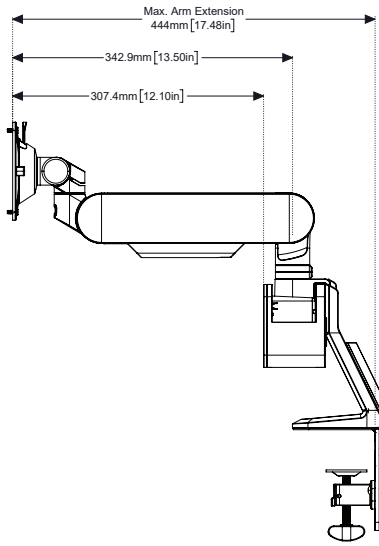


Utility Cup



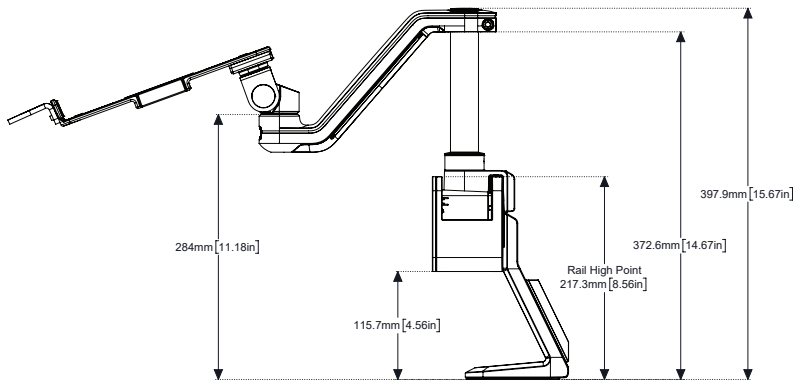
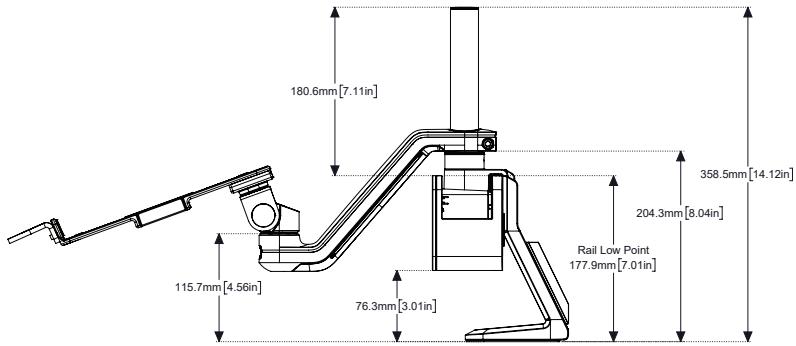
Rising Loft™ – Component Dimensions

Motion Arm

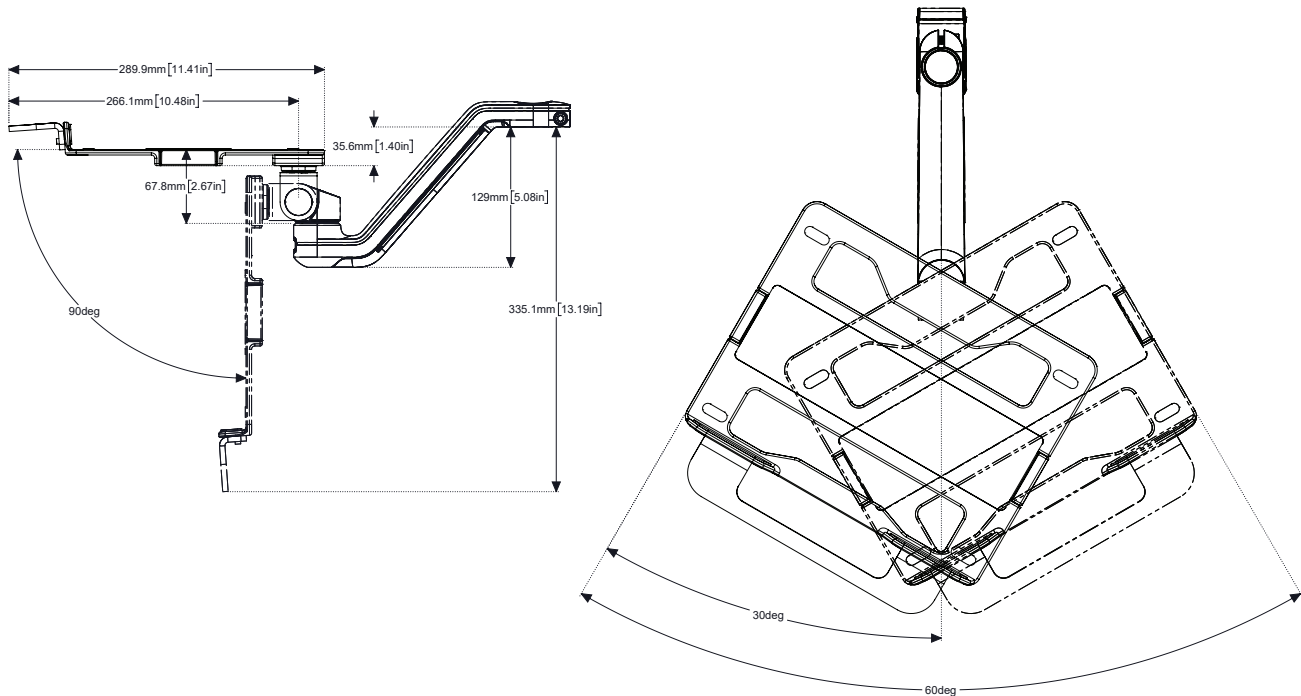


Rising Loft™ – Component Dimensions

Laptop Riser - Height Range

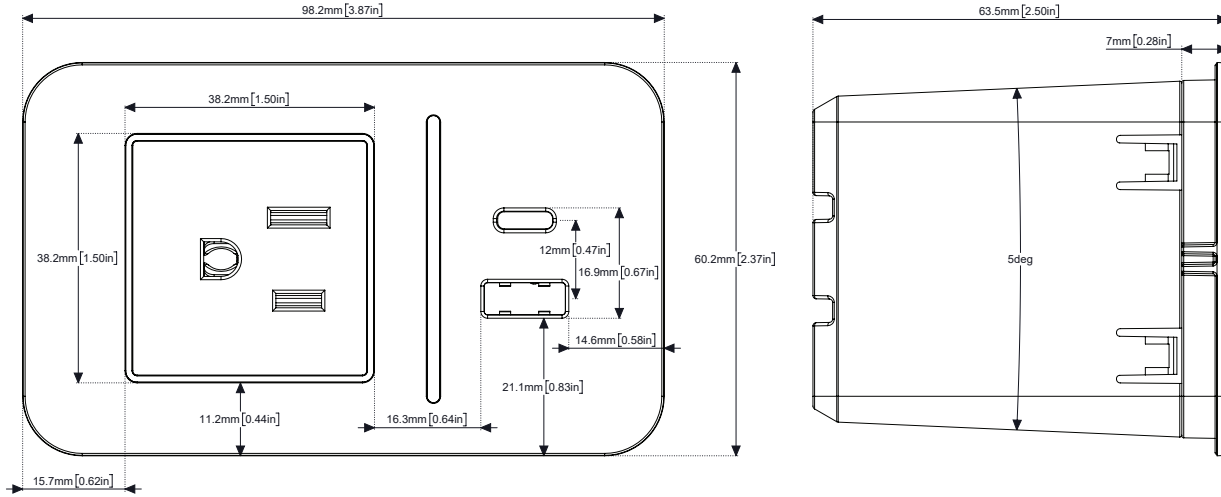


Laptop Riser - Tilt & Swivel



Rising Loft™ – Component Dimensions

Power Hub



Adapter

